

EVATION


pedelec drive system

Quickguide










 English

 FAZUA

Safety instructions

Important! Please read carefully all safety warnings  and instructions for all components of the drive system as well as your eBike.

Important! Read the safety instructions carefully. Neglecting these safety instructions could cause electric shocks, fire or severe injuries.

-  **Do not open the drive system's components by yourself.** The components are free of maintenance. They must be opened by qualified experts and be repaired with original spare parts. Unauthorized opening of a system would lead to its warranty expiration.
-  **All components conforming the Drivepack and eBike may be replaced only with identical components or specifically approved by your eBike manufacturer.** This protects your Drivepack from damage.
-  **Don't modify the drive system or add any other non-qualified product to increase the performance.**
-  **Always remove the Drivepack before working on your eBike, transportation or storage.** There is risk of accident in case of accidental activation.
-  **Be careful when touching the radiator of your Drivepack.** The radiator may heat up and cause skin burns.
-  **The walk-assistance function may only be used when pushing the eBike.** There is risk of injury if the wheels do not have ground contact when using this function.
-  **Use only original FAZUA evation Chargers.** FAZUA will not assume responsibility for the use of non-original chargers.
-  **Use only original evation Battery Packs qualified by the eBike manufacturer.** Using unauthorized Battery Packs may cause injuries or fire. FAZUA will not be assume responsibility when using unauthorized Battery Packs.
-  **Respect all national regulations in reference to eBikes and pedelecs.**

Cleaning, Maintenance and Service

Keep all components of your eBike and the drive system clean. Pay special attention to pins and interfaces between Battery Pack and Drivepack as well as Drivepack and Bottom Bracket. Make sure they are completely dry before each use.

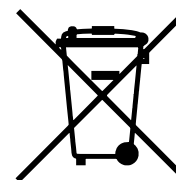
Keeping the Drivepack radiator clean will improve his cooling performance. Grease up your lock every few months or if you notice its operation becomes rougher over time. Do not submerge or clean with high-pressure cleaner any drive system component. Clean them carefully with a cloth or a soft brush.

For information about servicing your drive system, contact your FAZUA Service Partner or visit the FAZUA Service Platform (www.fazua.com/service).

Transportation

Batteries are subject to legislation for dangerous goods. Undamaged batteries can be transported by road by private persons. For commercial transportation, respect the legislation for packaging, identification and transportation of dangerous goods. Cover open pins and pack the battery tight. Make your parcel service aware of transporting dangerous goods. For any further questions contact a FAZUA Service Partner or visit the official FAZUA Service Platform (www.fazua.com/service).

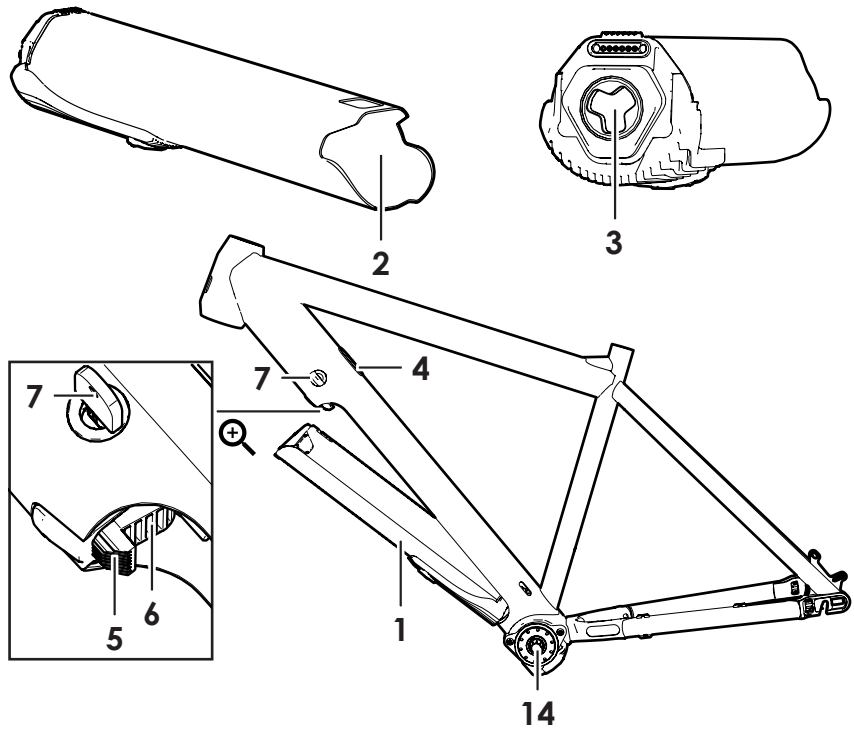
Disposal



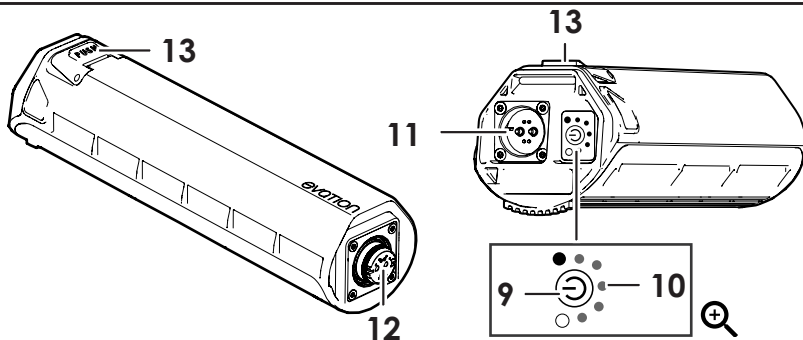
Bottom Bracket, Drivepack, Remote, Battery, Charger, accessories and packaging should be disposed of in an environmentally appropriate manner. Don't throw e-Bikes and its components into domestic waste.

EU countries only: According to EU directive 2012/19/EU broken electric devices and according to EU directive 2006/66/EG used batteries must be stored separately and disposed of in an environmentally appropriate manner.

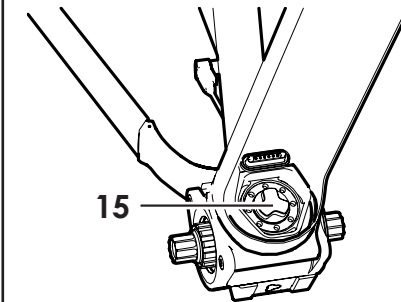
Drivepack 1



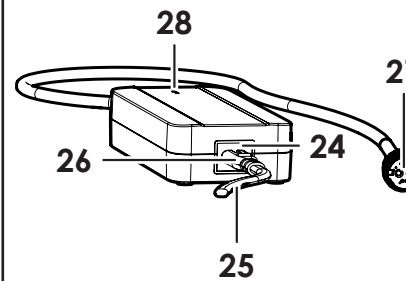
Battery Pack 8



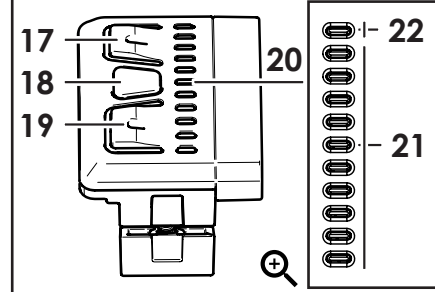
Bottom Bracket 14



Charger 23



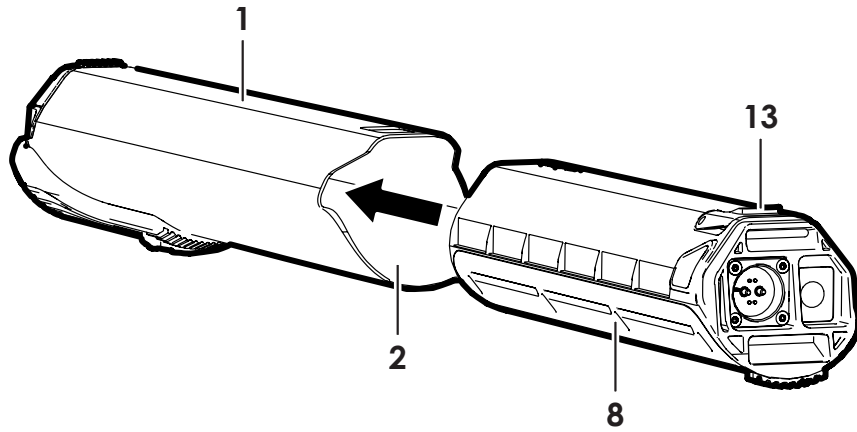
Remote 16



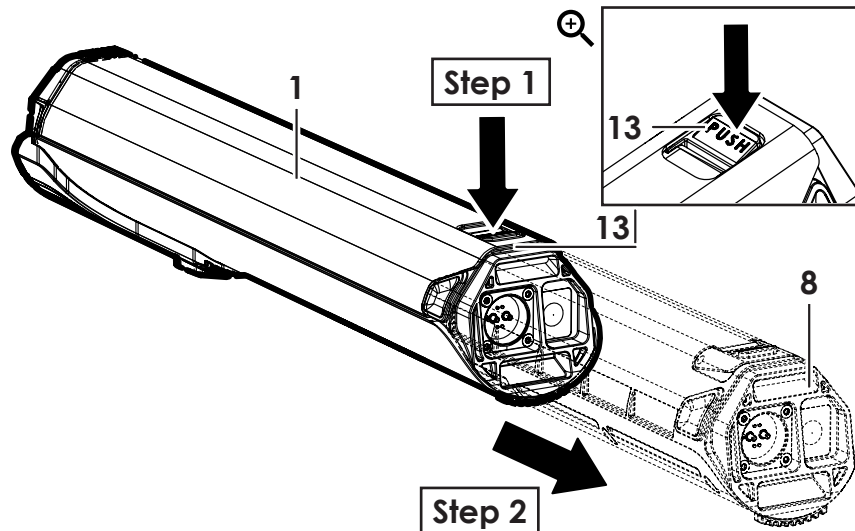
1. Drivepack
2. Battery slot
3. Interface to Bottom Bracket
4. Release button
5. Fastening hook
6. Pressing chock
7. Lock key
8. Battery Pack
9. On/off Button
10. Operation and charge control indicator
11. Socket for charge connector
12. Connector to Drivepack
13. Fastening lid
14. Bottom Bracket

15. Interface to Drivepack
16. Remote
17. Up button
18. Middle button
19. Down button
20. Display bar
21. State of charge/support level bar
22. Fault state indicator
23. Charger
24. Power socket
25. Power cord
26. Power plug
27. Charge connector
28. Charger LED indicator

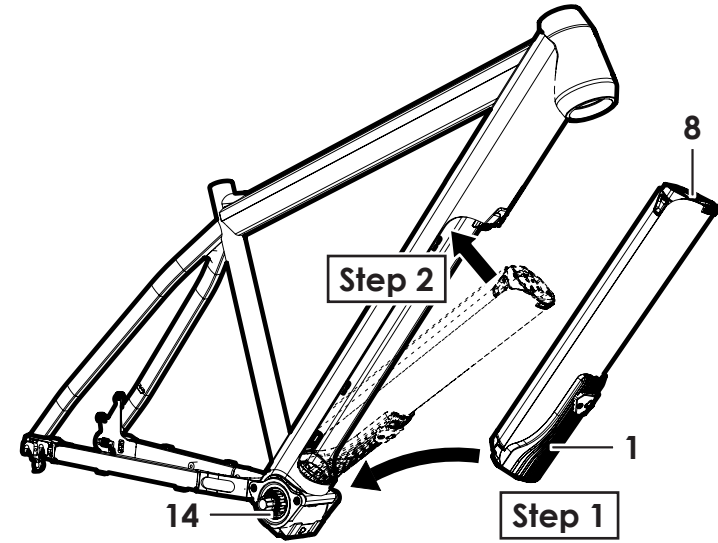
Action A



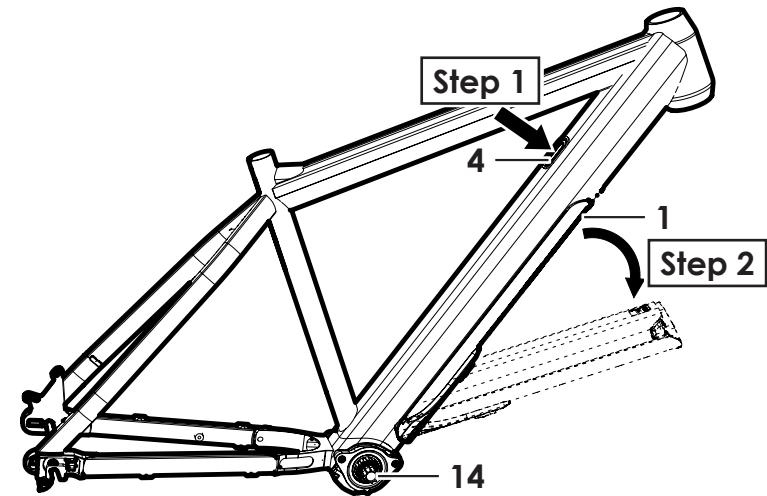
Action B



Action C




Action D




Assembling

First check of the Battery Pack

 **Warning! Read carefully and respect the Battery Pack (8) Instructions.**

 **Warning! Pay attention to your Battery Pack (8) before each use and before charging. Make sure terminals and surfaces are clean.**

 **Warning! Before using or charging your Battery Pack (8), always look for signs of damage like cracks or burns. Never use or charge a damaged Battery Pack (8).** Please contact your FAZUA Service Partner or visit the FAZUA Service Platform (www.fazua.com/service).

Check your **Battery Pack (8)** before charging it or using it for the first time.

Press the **on/off button (9)** on your **Battery Pack (8)**. If all LEDs of the **charge-control indicator (10)** are not lit, then fully charge the **Battery Pack (8)** before first use.

After the first use, and before each use, always switch on your **Battery Pack (8)** by pushing the **on/off button (9)**.

Inserting the Battery Pack


To insert the **Battery Pack (8)** into the **Drivepack (1)**, hold the **Drivepack (1)** on one hand and **Battery Pack (8)** on the other hand. Make sure the **connector to the Drivepack (12)** is facing the **battery slot (2)**. Bring the two together and gently let the **Battery Pack (8)** slip into the **battery slot (2)** of the **Drivepack (1)** (**Action A**). Once the **Battery Pack (8)** is completely inserted, the **fastening lid (13)** will automatically lock the **Battery Pack (8)**.

Mounting the Drivepack in the eBike

After inserting the **Battery Pack (8)** in the **Drivepack (1)** (**Action A**), lay the **interface to Bottom Bracket (3)** over the open **interface to Drivepack (15)** (**Action C, Step 1**). Right underneath your eBike downtube.

Now bring the upper part of the **Drivepack (1)** inside the downtube until the **fastening hook (5)** hooks in. Make sure the **Drivepack (1)** is tightly anchored within the downtube and it does not come out (**Action C, Step 2**).

Dismounting the Drivepack from the eBike

 **Important! Make sure that you are holding your Drivepack (1) when dismantling it, otherwise the Drivepack (1) might fall freely from the frame.**

Hold the mounted **Drivepack (1)** with one hand and press the **release button (4)** with the other hand (**Action D, Step 1**). You can now remove the **Drivepack (1)** easily (**Action D, Step 2**).

 **Note!** Sometimes pushing up the **Drivepack (1)** against the frame before pressing the **release button (4)** might result in a smoother dismantling.

Using your eBike

Switching eBike System on/off

The system can be operated by a FAZUA approved **Remote (16)**. Once the **Drivepack (1)** is mounted on the eBike, the system can be switched on by pressing any of the **Remote buttons (17, 18, 19)**.

For switching off the system:

1. Press and hold the **middle button of the Remote (18)** for 2 s.
2. Unmount the **Drivepack (1)** from the eBike (**Action D**).
3. Switch off the **Battery Pack (8)** by pressing the **on/off button (9)** for 2 s.

Setting the Support Level

You can set on the **Remote (16)** how much the eBike system supports you when pedaling. The support level can be set at any time, even while riding. In order to switch the support level, you must press the **up/down buttons (17, 19)** on the **Remote (16)**.

The following support levels are available:

Support Level	Color	Max. Support Factor	Max. Power
No Support	White	0%	0 W
Breeze	Green	75%	125 W
River	Blue	150%	250 W
Rocket	Pink	240%	400 W

State-of-charge and support level bar

The **state of charge/support level bar (21)** shows 2 parameters:

- **State-of-charge of your Battery Pack (8)**: indicated by the number of LEDs that are lit. When fully charge at the **Battery Pack (8)**, all 10 LEDs are lit. However, if **Battery Pack (8)** is empty, then no LEDs will light up.
- **Selected support level of your eBike**: indicated by the shining color of the LEDs (See previous section **Setting the Support Level**).

Switching the Walk-assistance mode on/off


To activate the Walk-assistance mode, set your system to "**No Support**" mode on the **Remote (16)** (See section **Setting the Support Level**). Then, press and hold the **down button (19)** on the **Remote (16)**. After 2 s the Walk-assistance mode switches on.


Charging the Battery Pack


The **Battery Pack (8)** can be recharged at any time on its own, within a **Drivepack (1)**, or within your eBike. Interrupting the charging process at any moment is also possible.

Connect the **power plug (26)** of the **power cord (25)** to the **power socket (24)** of the **Charger (23)**. Then connect the mains plug (country-specific) to the mains supply. Finally, connect the **charge connector (27)** into the **charge plug (11)** of your **Battery Pack (8)**.

Once the **Battery Pack (8)** is fully charged, the LEDs at the **charge-control indicator (10)** turn off. The state-of-charge can be checked then by briefly pressing the **on/off button (9)** on your **Battery Pack (8)**.

 **Warning! Read carefully and respect the Battery Pack (8) instructions.**

 **Warning! Pay attention to your Battery Pack (8) before each use and before charging. Make sure terminals and surfaces are clean.**

 **Warning! Before using or charging your Battery Pack (8), always look for signs of damage like cracks or burns. Never use or charge a damaged Battery Pack (8).** Please contact your FAZUA Service Partner or visit the FAZUA Service Platform (www.fazua.com/service).



FAZUA GmbH
Hofmannstrasse 61
81379 Munich, Germany
www.fazua.com